

Instruction and spare parts

DC MINI BIKE

Vs. 2



Dancutter a/s

Livøvej 1
DK-8800 Viborg

Tel: +45 9651 2150
info@dancutter.dk

CVR/VAT no.: 26672678

Support

Oplever du problemer med cutteren, eller har du bare tekniske spørgsmål så skriv til: **support@dancutter.dk**

Order

Mangler du reservedele eller skærekegler, så skriv til:
order@dancutter.dk

Support

Bitte schreiben Sie an **support@dancutter.dk**, falls Sie Probleme mit dem Fräser oder technische Fragen haben.

Bestellungen

Bitte schreiben Sie an **order@dancutter.dk**, falls Sie Ersatzteile oder Fräsköpfe benötigen.

Technical support

If you experience problems with the cutter or if you have any technical questions, please write to **support@dancutter.dk**

Order

If you need spare parts or cutting heads, please write to
order@dancutter.dk

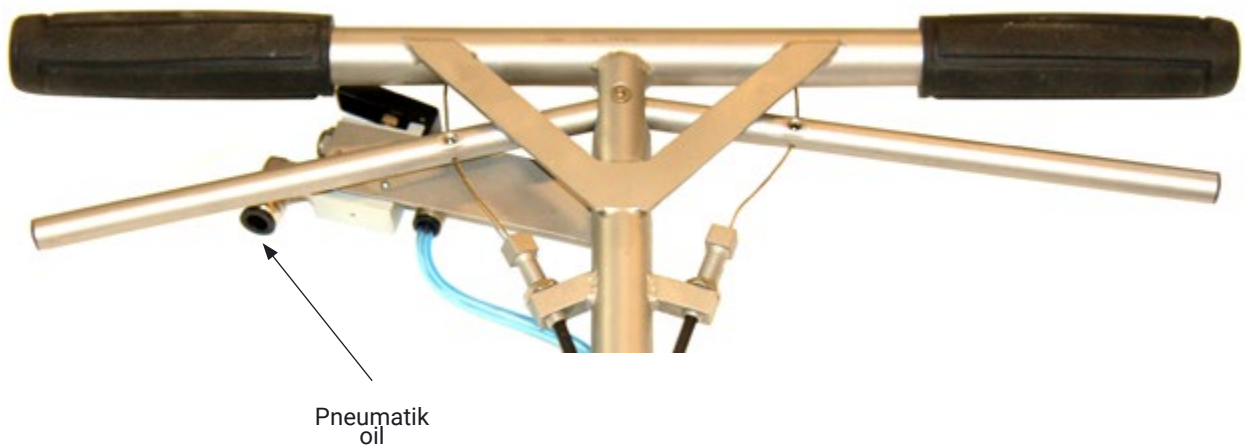
Indhold - Inhalt - Contents

Cutter - Fräser - Cutter

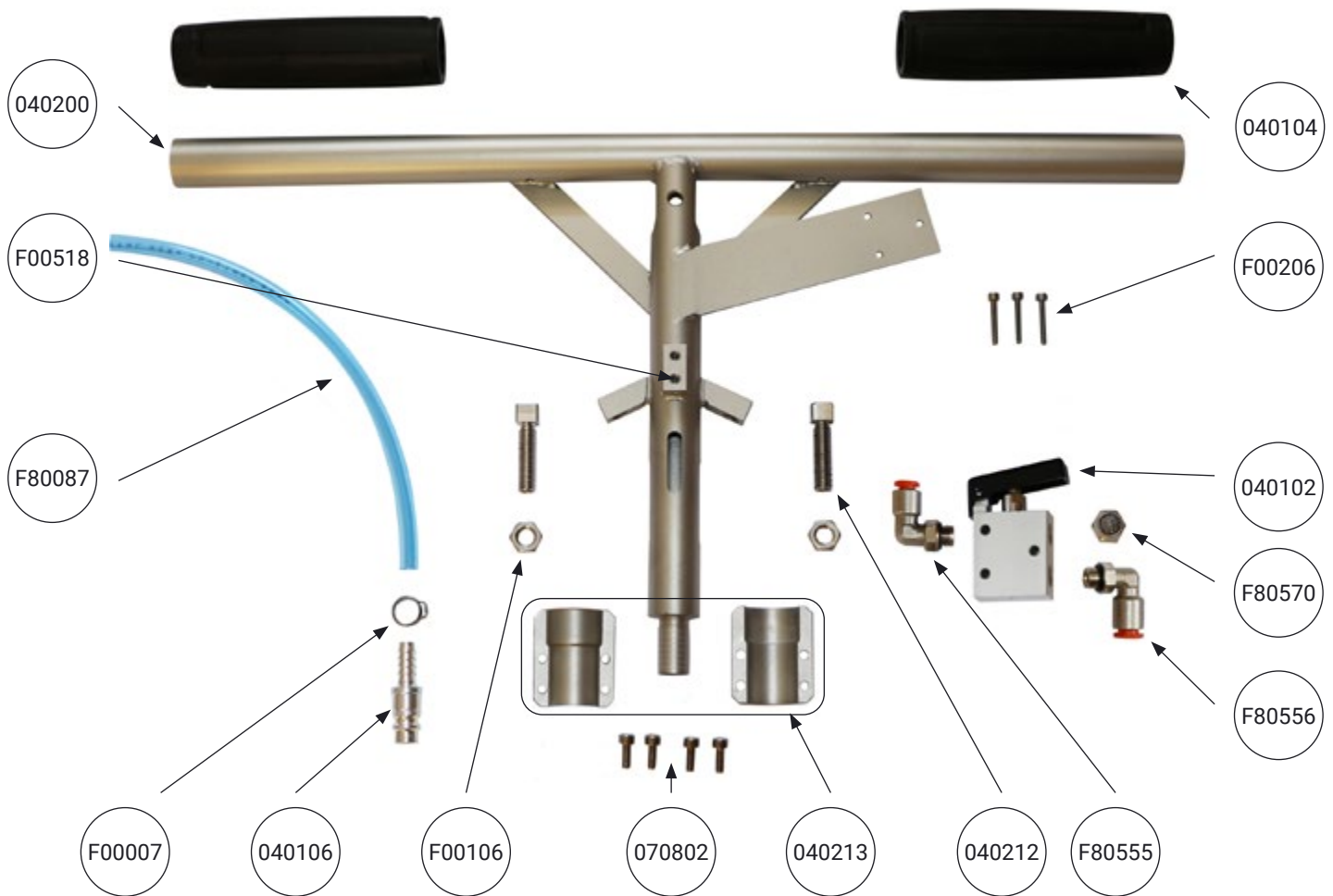
Service og vedligeholdelse, reservedele - Service und Wartung, Ersatzteile - Service and maintenance, spare parts	4
Montering af skærehoved - Montage der Hartmetall Fräser - Mounting of cutting head.....	10
Montering af Wire - Montage der Schneidkopf - Mounting of wire.....	11




Service and maintenance

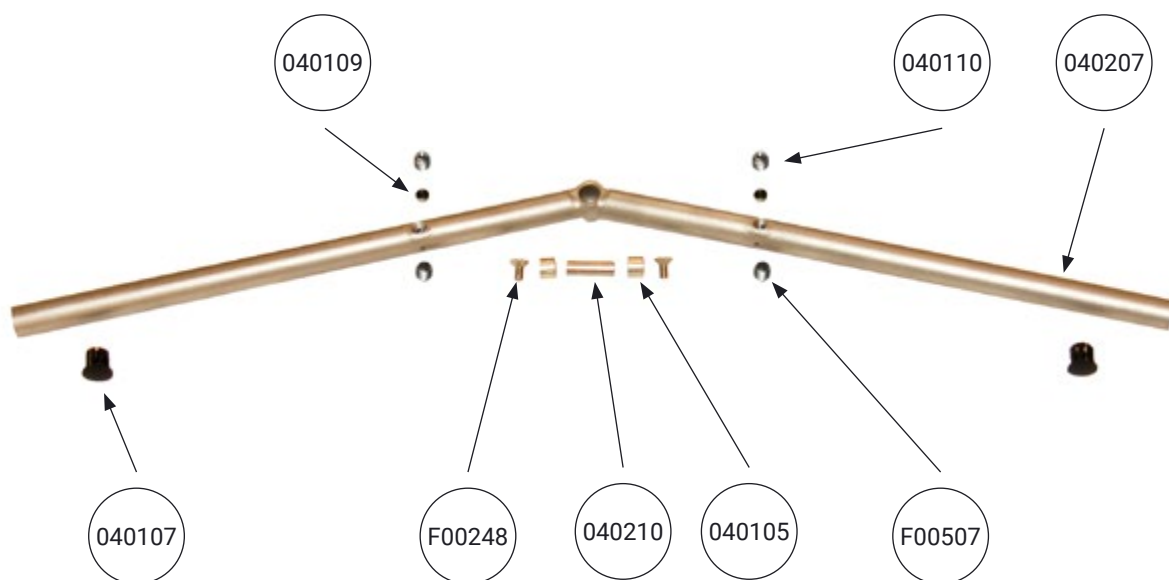
Spare parts





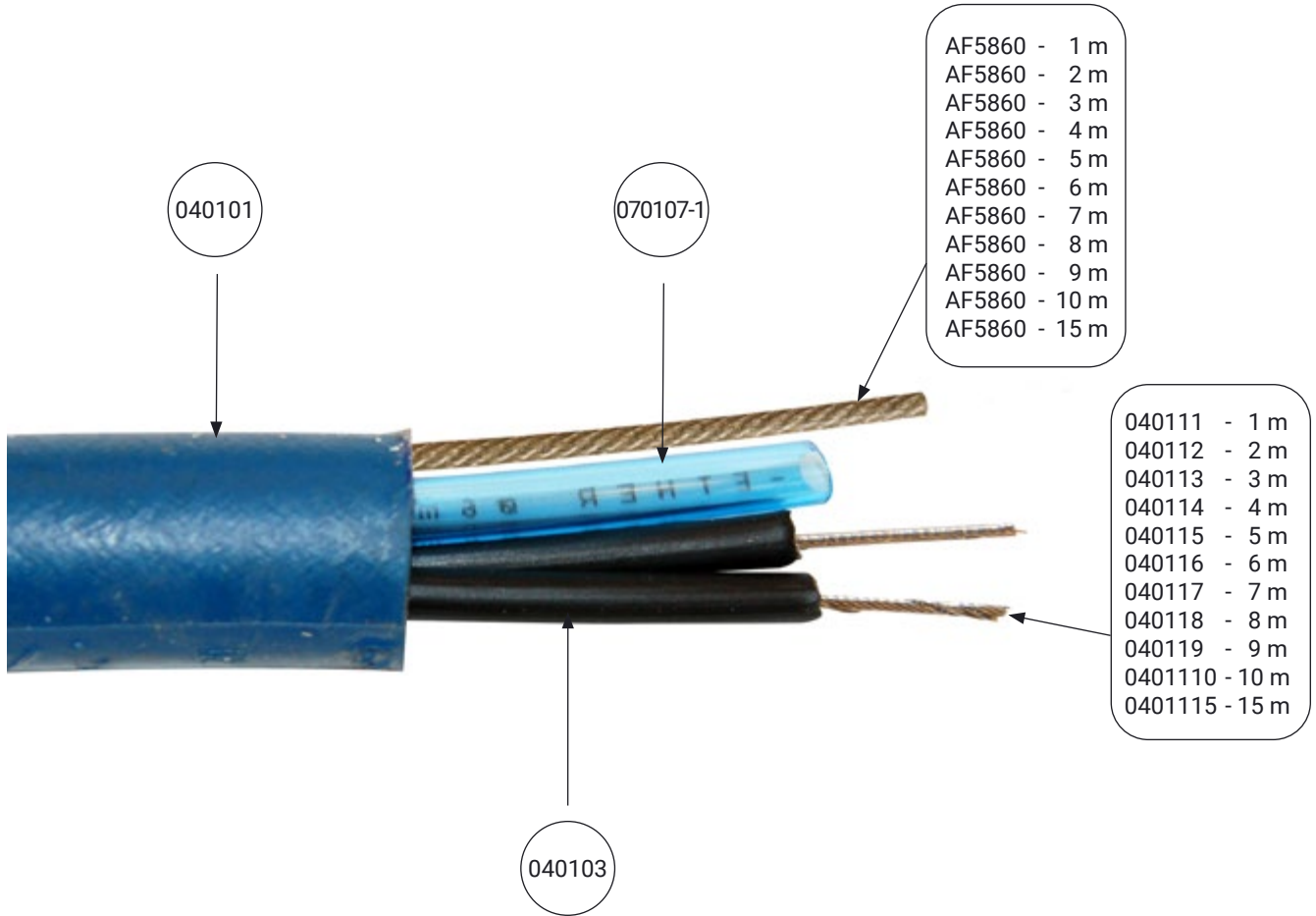
Part - parts: service	Daily
Cleaning the cutter	x
Refilling with pneumatik oil	x 1.1



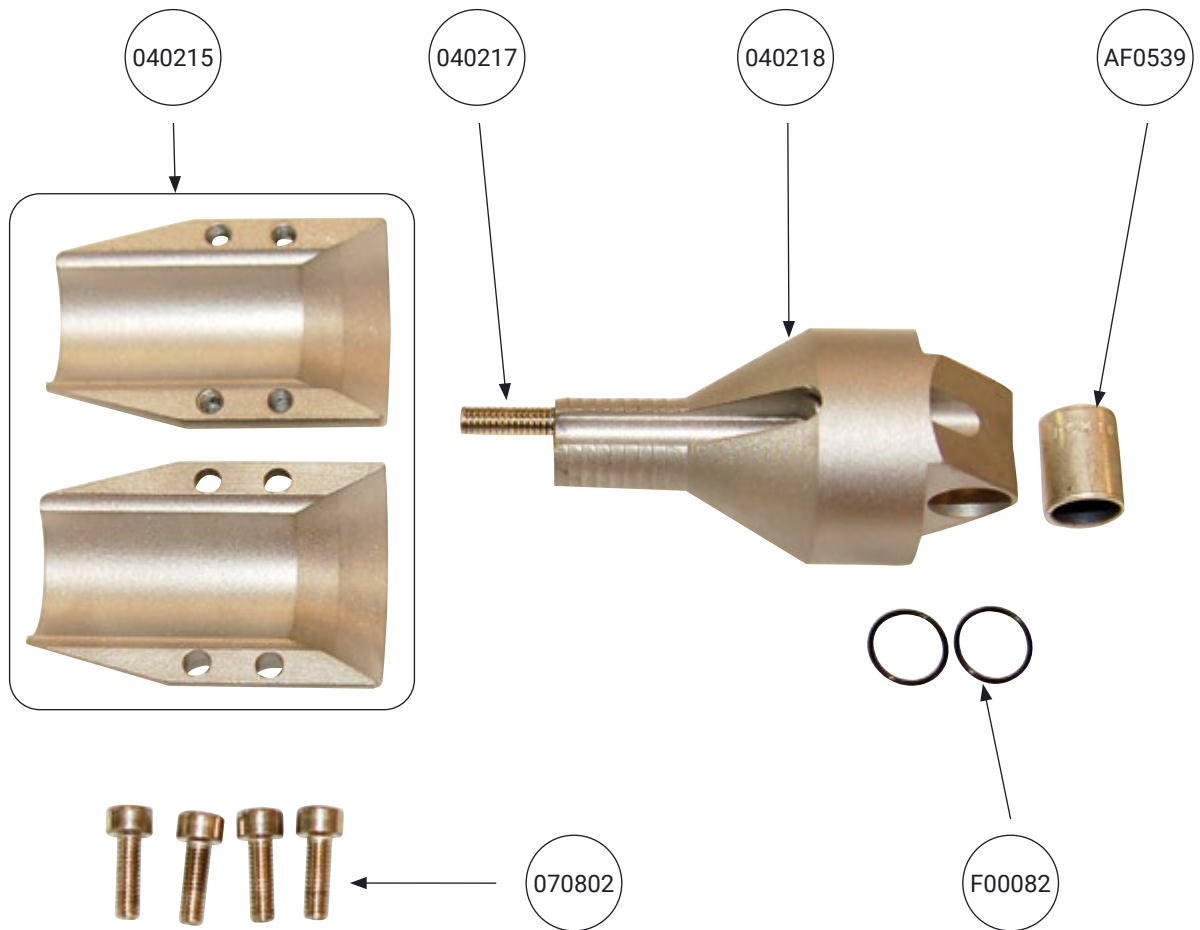
DC nr.			
040102	Ventil 1/8" 3,2 trykknop/fjeder	Ventil 1/8" 3,2 Druckknopf/feder	Valve 1/8" 3,2 Push button/spring
040104	Gummihåndtag	Gummi griff	Rubber Handle
040106	1/2" Lynkobling han - 8 mm	1/2" Schnell kupplung DN 8 mm	1/2" Quick-acting coupling 8 mm
040200	Håndtag	Griff	Handle
040212	Wirestrammer	Drahtspanner	Wire Tension
040213	Slangespænde sæt	Schlauch binder Set	Hose clamp set
070802	Skrue M 4 x 10 CH ned 5,4	Schrauben M 4 x 10 CH	Screw M 4 x 10 CH
F00007	Øreclips 9 - 11	Ohr Clips 9 - 11	Ear clips 9 - 11
F00106	Møtrik M 8	Mutter M 8	Nut M 8
F00206	Skrue M 3 x 20 CH	Schrauben M 3 x 20 CH	Screw M 3 x 20 CH
F00518	Pinolskrue M 4 x 6 mm	Madenschraube M 4 x 6 mm	Pointed screw M 4 x 6 mm
F80087	Slange Ø8	Schlauch DN8	Hose DN8
F80555	Vridb. Vinkel Push-in 1/8" Ø6	Drehbarer Winkel Push-in 1/8" DN6	Gimlet angle Push-in 1/8" 6 mm
F80556	Vridb. Vinkel Push-in 1/8" Ø8	Drehbarer Winkel Push-in 1/8" DN8	Gimlet angle Push-in 1/8" 8 mm
F80570	Lyddæmper RF - 1/8	Schalldämpfer RF - 1/8"	Silencer RF - 1/8"



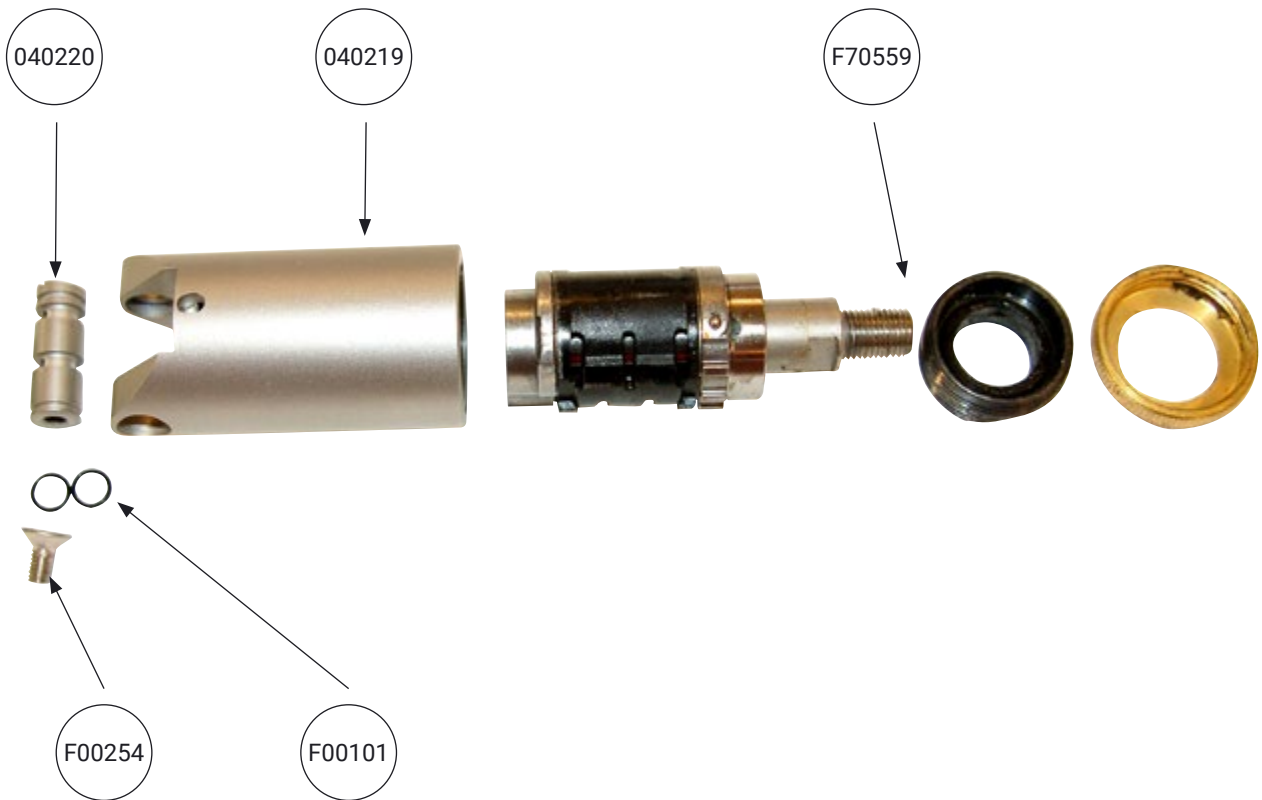
DC nr.			
040105	Bøsning Ø6 - 8 x 6 mm	Buchse DN6 - 8 x 6 mm	Bushing DN6 - 8 x 6 mm
040107	Blændprop 9,5 mm	Blend Stopfen 9,5 mm	PVC stopper 9,5 mm
040109	Spændbrik 4 x 2,5 mm	Klemmstück 4 x 2,5 mm	Clamping piece 4 x 2,5 mm
040110	Pinolskrue M 5 x 5 mm plan	Madenschraube M 5 x 5 mm plan	Pointed screw M 5 x 5 mm plan
040207	Styregreb samlet	Beiden Montieret	Both assembled
040210	Drejeled	Drehgelenk	Swivel
F00248	Skrue M 4 x 8 mm US	Schrauben M 4 x 8 mm US	Screw M 4 x 8 mm US
F00507	Pinolskrue M 5 x 5 mm	Madenschraube M 5 x 5 mm	Pointed screw M 5 x 5 mm



DC nr.			
040111 - 0401115	Wire 1 - 15 m	Drahe 1 - 9 m	Wire 1 - 9 M
040101	Slange 1/2"	Schlange 1/2"	Hose 1/2"
040103	Beskyttelseskabel til wire 5 mm	Schutz für Draht kabel 5 mm	Protection cable 5 mm
070107-1	Slange Ø 6 mm	Schlange Ø 6 mm	Hose Ø 6 mm
AF5860	Wire 3 mm PVC 1 - 15 mm	Drahe 3 mm PVC 1 - 9 mm	Wire 3 mm PVC 1 - 9 mm

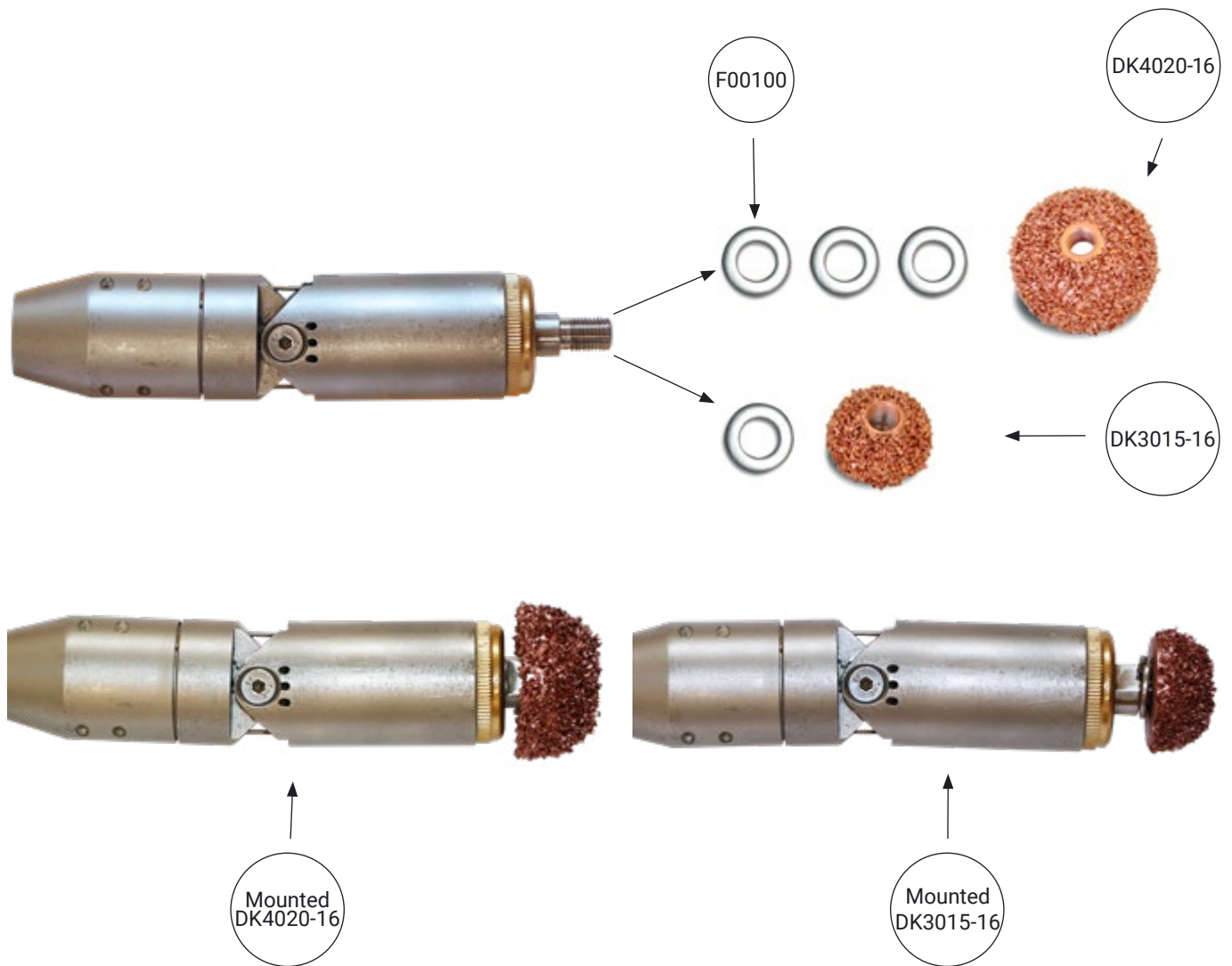


DC nr.			
040215	Slangespænde sæt	Schlauch binder Set	Hose clamp set
040217	Slangestuds	Schlauchtülle	Hose connection
040218	Bagende	Hinter teil	Rear end
070802	Skrue M 4 x 10 mm CH - ned 5,4	Schraube M 4 x 10 mm CH - ned 5,4	Screw M 4 x 10 mm CH - ned 5,4
AF0539	Bøsning Ø 10 - 12 - 15 mm	Buchse DN 10 - 12 - 15 mm	Bushing Ø 10 - 12 - 15 mm
F00082	O-ring 10 x 1 mm	O-ring 10 x 1 mm	O-ring 10 x 1 mm



DC nr.			
040219	Forende	Vorderes Ende	Front end
040220	Banjobolt	Banjo Bolzen	Bolt Banjo
F00101	O-ring 6 x 1 mm	O-ring 6 x 1 mm	O-ring 6 x 1 mm
F00254	Skrue M 5 x 10 US	Schrauben M 5 x 10 US	Screw M 5 x 10 US
F70559	Komplet cylinder	Komplette Zylinder	Complete cylinder

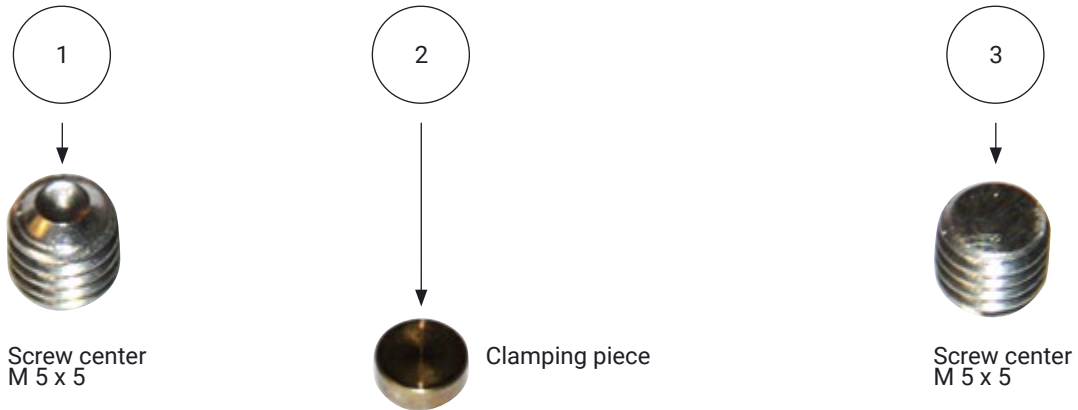
Mounting of cutting head



DC nr.			
F00100	Fjederskive Ø 10 mm	Spannscheibe DN 10 mm	Elastic washer 10 mm
DK4020-16	Carbide skærehoved 40 x 20 mm 3/8	Hartmetall Fräser 40 x 20 mm 3/8	Carbide cutting head 40 x 20 mm 3/8
DK3015-16	Carbide skærehoved 40 x 20 mm 3/8	Hartmetall Fräser 40 x 20 mm 3/8	Carbide cutting head 40 x 20 mm 3/8

Mounting of wire

040140 clamping set for wire



The grub screw no. 3 is fastened from the back side of the handle. Tighten the screw so it barely touches the wire. The wire must still be moveable in both directions.



Place the round metal piece no. 2 inside the hole. Insert the grub screw no.1, tighten the wire and tighten the grub screw no. 1 firmly.